

4

3

2

1

THIS DRAWING IS UNPUBLISHED.

RELEASED FOR PUBLICATION

20

LOC DS

DIST -

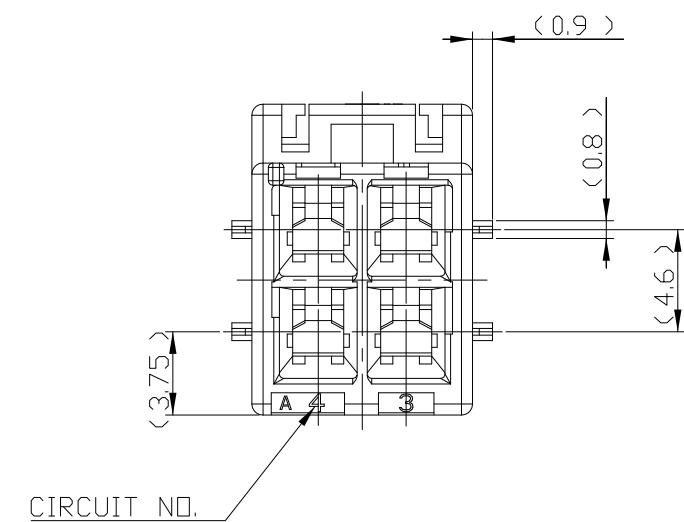
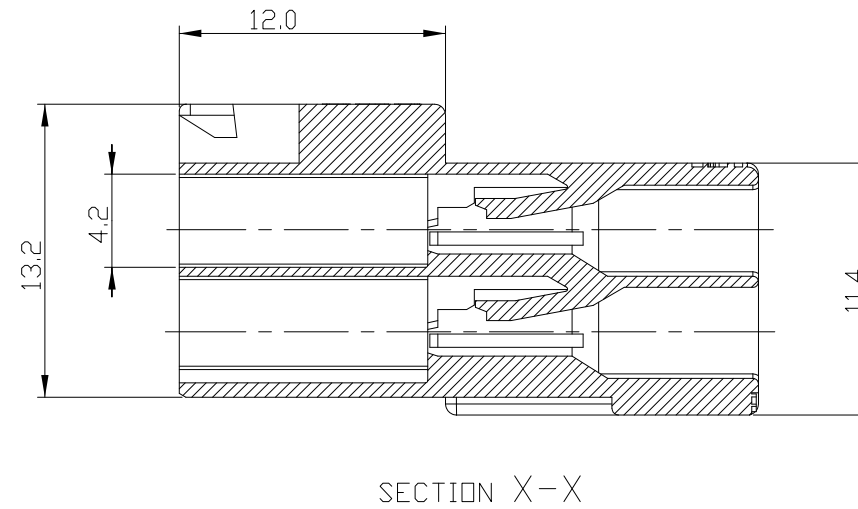
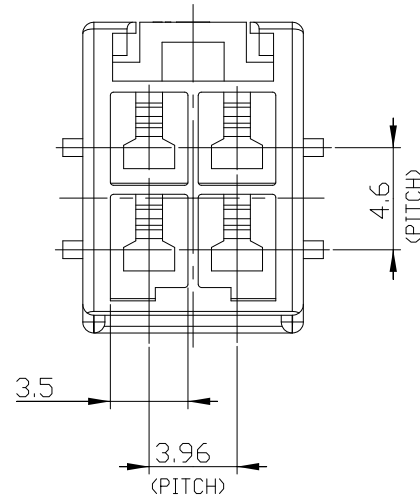
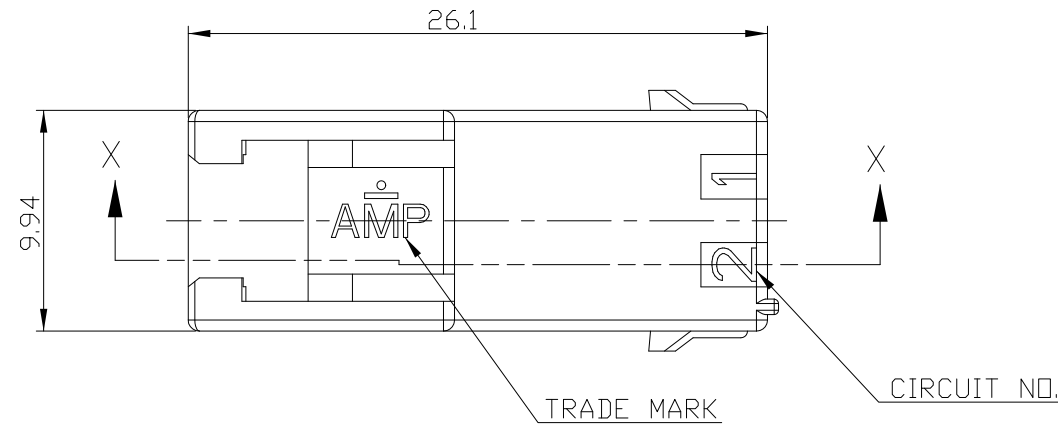
REVISIONS

© COPYRIGHT 20 BY TYCO ELECTRONICS CORPORATION. ALL RIGHTS RESERVED.

P	LTR	DESCRIPTION	DATE	DWN	APVD
	A	RELEASED	02.MAR'09	SC	JK

NOTE;

- 1.APPLICABLE CONTACT P/N
-TAB CONTACT:177917-□(AWG#16-#20)
177916-□(AWG#22-#26)
- 2.MATING CONN.P/N
-PLUG HSG: □-368575-□
-REC CONTACT:177915-□(AWG#16-#20)
177914-□(AWG#22-#26)
- 3.APPLICABLE DOUBLE LOCK PLATE: □-368590-1
- 4.GENERAL TOLERANCES:±0.3
- 5.ACCORDING TO IEC 60335-1 4.2 EDITION
-PART MEETS GWT 750° & 850°C.
-MATERIAL MEETS BALL PRESSURE TESTING AT 125°C.
-MATERIAL HAS CTI VALUE OF 250V.
- 6.MIN.THICKNESS OF INSULATING MATERIAL BETWEEN ADJACENT POLES: 0.35mm

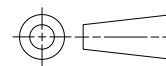


1-368587-6	PA66 UL94V-0	BLUE
1-368587-4		YELLOW
1-368587-2		RED
1-368587-1		NATURAL
368587-6	PA66 UL94V-2	BLUE
368587-4		YELLOW
368587-2		RED
368587-1		NATURAL
P/N	MATERIAL	COLOR

THIS DRAWING IS A CONTROLLED DOCUMENT FOR TYCO ELECTRONICS CORPORATION
IT IS SUBJECT TO CHANGE AND THE CONTROLLING ENGINEERING ORGANIZATION
SHOULD BE CONTACTED FOR THE LATEST REVISION.

DIMENSIONS:

mm



TOLERANCES UNLESS OTHERWISE SPECIFIED:

0 PLC	±-
1 PLC	±-
2 PLC	±-
3 PLC	±-
4 PLC	±-
ANGLES	±-
FINISH	-

MATERIAL

-

FINISH

-

DWN

SC KIM

CHK

BW KANG

APVD

JK SONG

PRODUCT SPEC

108-61106

APPLICATION SPEC

-

WEIGHT

-

CUSTOMER DRAWING



AMP KOREA
Kyungsan, Korea

NAME

PDL 4P CAP HSG 3.96mm D/R F/H (GWT)

SIZE

CAGE CODE

DRAWING NO

RESTRICTED TO

A300779

368587

368587

SCALE N/A

SHEET 1 OF 1

REV A